

## Tools & Finishing Supplies



### Dash Brush – KXDB

Available individually or 12 per carton.

- Used to apply Kool Deck, Kool Deck Elite or Marquee

### Pattern Blade with 12' telescoping Handle – TPB

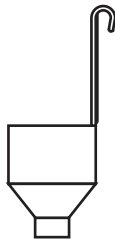
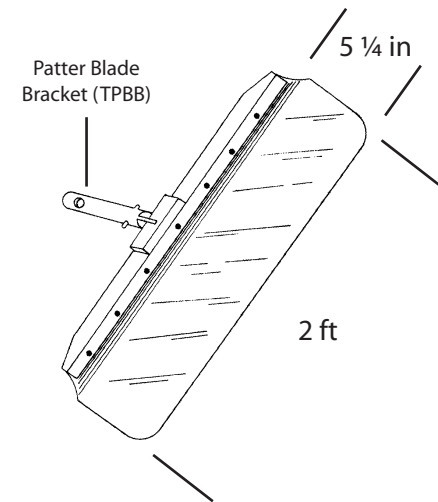
- Used as a trowel for far or hard to reach areas. Handle included.

### Pattern Blade – No handle – TPBNH

- Used as a trowel for far or hard to reach areas. Handle NOT included. Can be attached to standard pool poles.

### Pattern Blade Bracket – TPBB

- Used to replace existing pattern blade brackets



### Viscosity Cup – KXVCUP

- Used as a final guide for proper consistency on Kool Deck, Kool Deck Elite and Marquee. The flow time for Kool Deck and Kool Deck Elite should be 17 seconds for horizontal surfaces and 20 seconds for colder weather applications or with the application of Marquee.