

Channel Rite™ Instructions



Necessary Tools

- Hack Saw or Miter Saw
- 1 1/2" PVC and fittings

Optional Tools

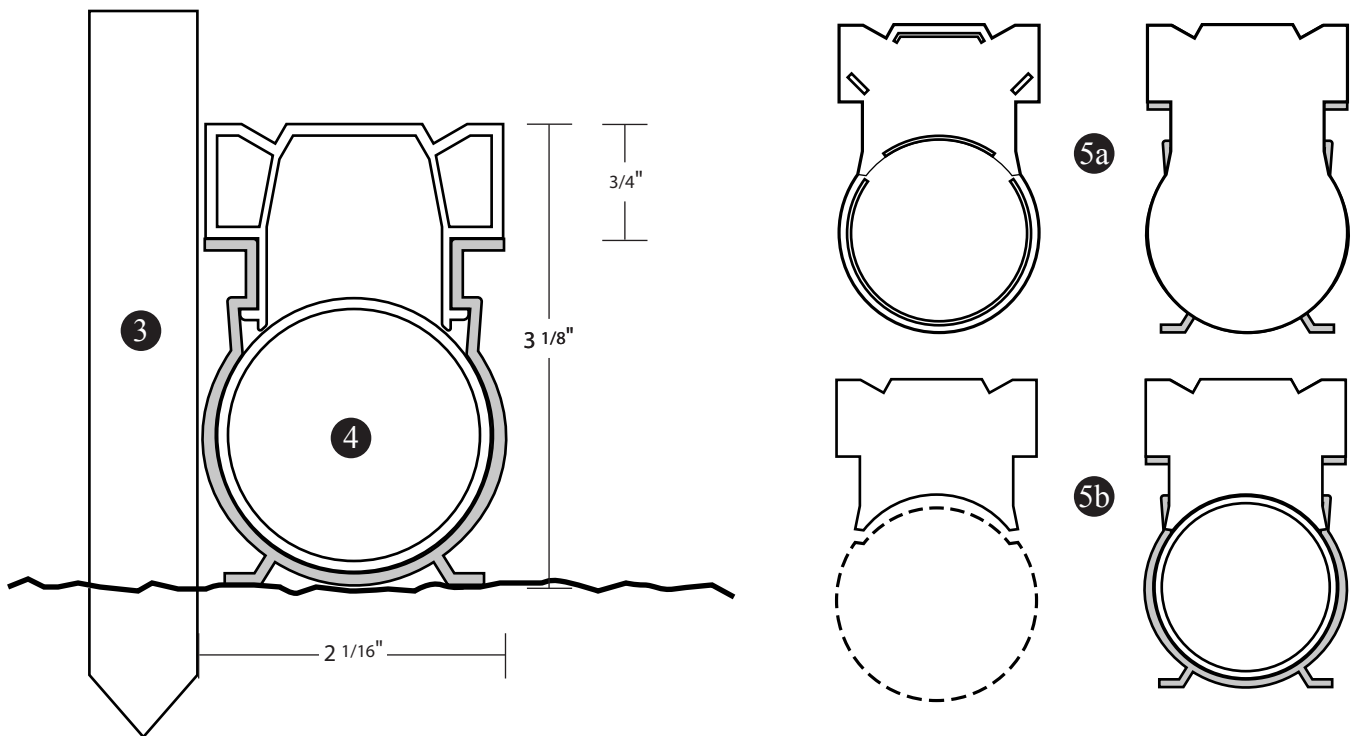
- Wooden/Metal Stakes

Coverage

Coverage: 100 lineal ft (30.5 m)

Installation

1. Grade the sub-soil, sloping toward the channel location.
2. Assemble Channel Rite tops and bottoms before installation.
3. Metal or wooden stakes can be used to position channel, and removed during pour.
4. To connect two pieces of Channel Rite together, use a 1 1/2" PVC Connector.
5. At the end of a channel, you can (a.) close the end with an End Plug, or (b.) allow the end to act as a spout by using a Connector and the top portion of the (breakable) End Plug.



The manufacturer offers this product and Information in good faith, but without guarantee either expressed or implied, as conditions and methods of use of our product are beyond our control.