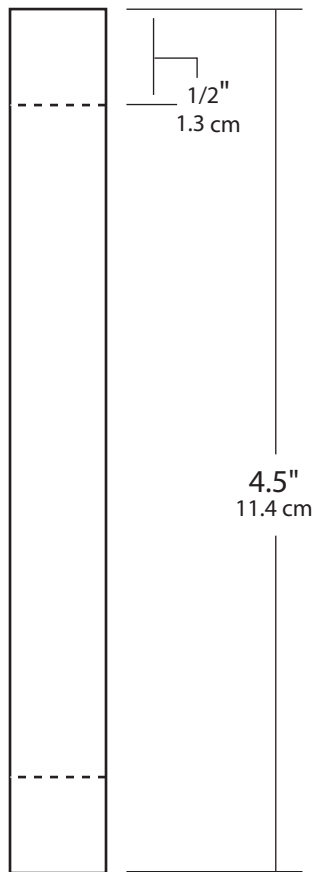


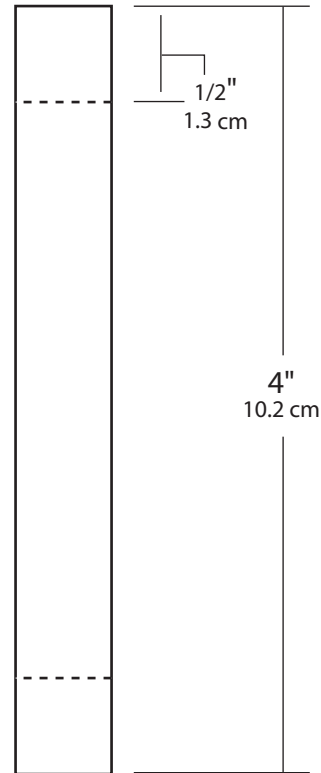
## Foam Fiber Joint

Foam Fiber Joint is a versatile solution for crack control where a Control Joint is impractical.

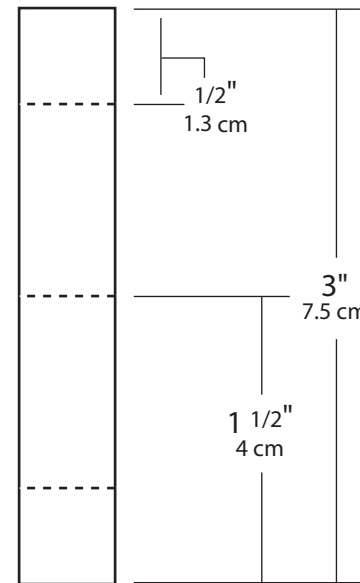
- Foam Fiber Joint can be used between an existing structure and a new concrete pour.
- Top segment is removable allowing space for caulking with a self-leveling sealant.
- Resistant to moisture damage and temperature extremes.
- Environmentally friendly-manufactured without ozone damaging CRC's.



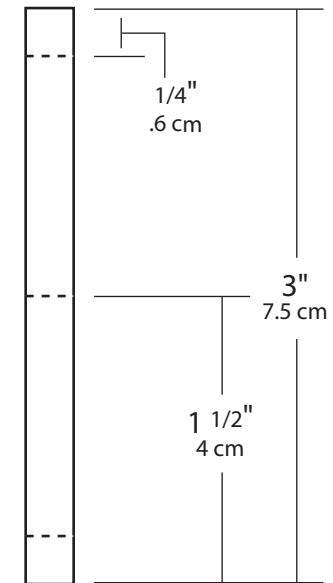
1/2" x 4 1/2" x 60' - 2 cuts



1/2" x 4" x 60' - 2 cuts



1/2" x 3" x 50' - 3 Cuts



1/4" x 3" x 125' - 3 Cuts